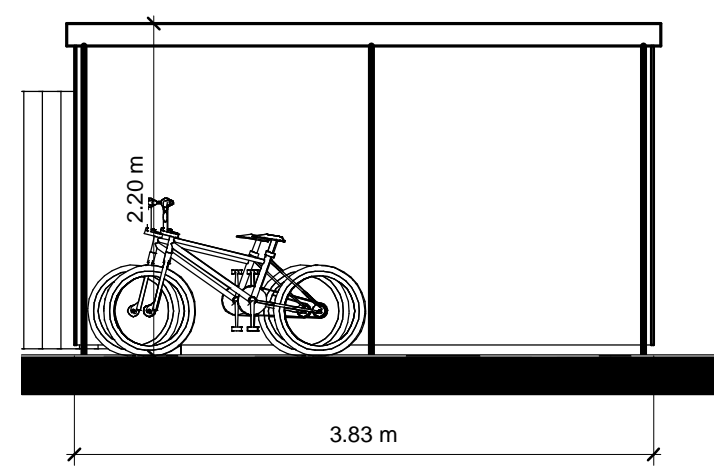
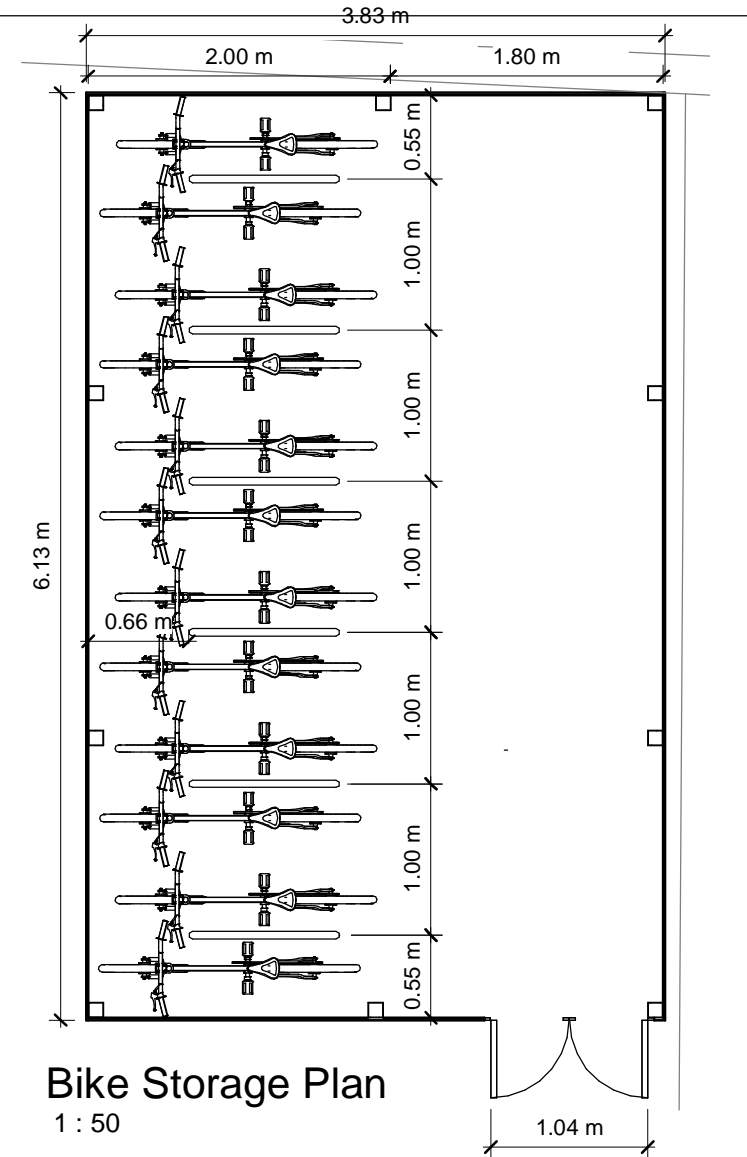
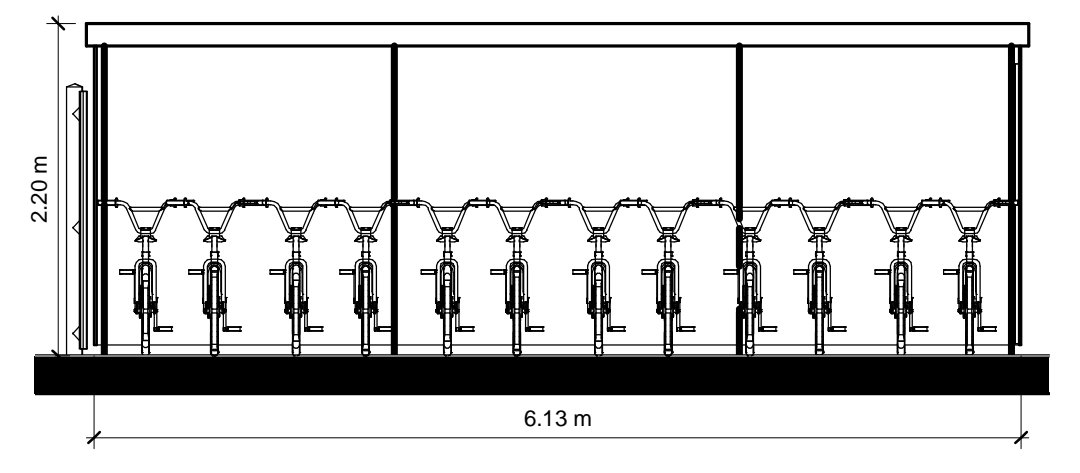


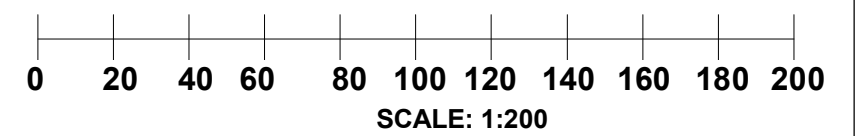
Secure Bike Storage



Front Elevation
1 : 50



Side Elevation
1 : 50



CANOPY PLANNING

OFFICES:- Sutton TEL NO. 020 3632 2690
MOBILE NO: 07956311277 Email:-info@canopyplanning.co.uk

Mr T Mamtora

95 Devonshire Road
Wimbledon
SW19 2EQ

PROPOSED SITE PLAN

Project number	19361	19361/06F
Date	NOV. 2020	
Drawn by	SZ	
Checked by	Checker	Scale As indicated

This page is intentionally left blank